

P.T.O.
 3000 r.p.m. - IP 23 2 poles Compound
GA AGRIPLUS 3-38

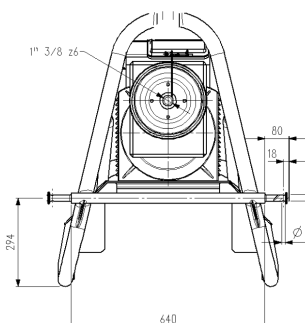
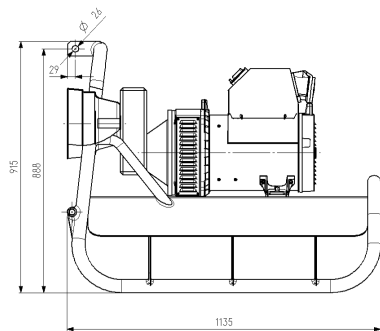
Technical data

		Three-phase 400V - 50Hz	Mono-phase 230V - 50Hz
Power	kVA	38	15.2
Active power	kW	30.4	12.16
Current	%	88	
Gear box	Ratio	1:6.9	
Driving power	kW	35.6	
Tractor power	HP	112	
P.T.O. speed	r.p.m.	430	
P.T.O. sizing Cardan	Nm	1173	
	kW	66	
Dimensions (LxWxH)	Mm	1135 x 640 x 915	
Weight	Kg	205	



Environmental conditions

Temperature	°C	25
Relative humidity	%	30
Maximum altitude	Mt	1000



EQUIPMENT

- Alternator stabilized, high performance
- Gear box
- Raised chassis
- 3-point-connection frame
- Control panel
- EC Protections

CONTROL PANEL ON BOARD

Digital instrument:

- Voltmeter
- Frequencymeter
- Ammeter
- Hour counter

Protections

- 2-pole magnetothermic switch
- 4-pole magnetothermic switch
- Differential protection (Id=0,03A)
- IP65 cover

Outputs

- 1 CEE 400V (3P+N+E) 63A
- 1 CEE 230V (2P+E) 16A



DOCUMENTATION

- User and maintenance manual
- EC Declaration of Conformity

APPLICATIONS



AGRICULTURAL