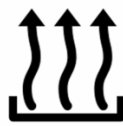




STROM



WÄRME



KÄLTE



LICHT



USV



P.T.O.

3000 r.p.m. - IP 23 2 poles Compound

GA AGRIPLUS 3-13

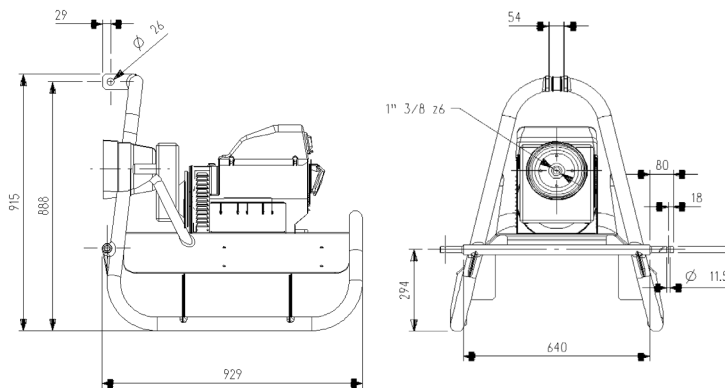
Technical data

		Three-phase 400V - 50Hz	Mono-phase 230V - 50Hz
Power	kVA	13.5	5.2
Active power	kW	10.8	4.32
Current	%	82.9	
Gear box	Ratio	1:7	
Driving power	kW	13.4	
Tractor power	HP	42	
P.T.O. speed	r.p.m.	430	
P.T.O. sizing Cardan	Nm	420	
	kW	24	
Dimensions (LxWxH)	Mm	929 x 640 x 915	
Weight	Kg	116	



Environmental conditions

Temperature	°C	25
Relative humidity	%	30
Maximum altitude	Mt	1000



EQUIPMENT

Alternator stabilized, high performance
Gear box
Raised chassis
3-point-connection frame
Control panel
EC Protections

CONTROL PANEL ON BOARD

Instruments

Voltmeter
Frequencymeter

Protections

Single phase thermal protection
4-pole magnetothermic switch
Differential protection (I_d=0,03A)
IP65 cover

Outputs

1 CEE 400V (3P+N+E) 32A
1 CEE 230V (2P+E) 16A



DOCUMENTATION

User and maintenance manual
EC Declaration of Conformity

APPLICATIONS



AGRICULTURAL